



Electronic Hygrotherm ETF 012

The electronic hygrotherm senses the ambient temperature and relative humidity in an enclosure with electric/electronic components and turns on a heater (or alternatively a fan) at either set point, helping prevent the formation of condensation in the enclosure. Due to its wide voltage range the hygrotherm can be utilised anywhere in the world. The LED integrated in the adjust-ment knob on the active controller is lit when the connected device is in operation.



FEATURES

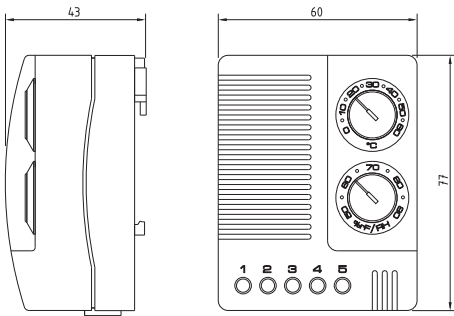
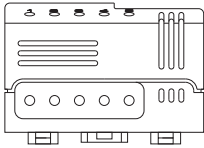
- Temperature and humidity adjustable
- Optical operating display (LED)
- High switching capacity
- Clip fixing

TECHNICAL DATA

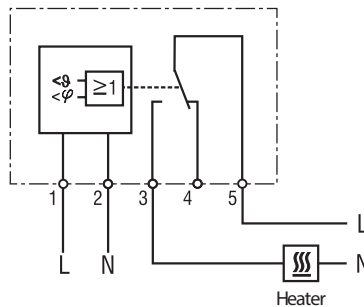
Switch difference (temperature)	2K (\pm 1K tolerance) at 25°C/77°F (50% RH)
Switch difference (humidity)	4% RH (\pm 1% tolerance) at 25°C/77°F (50% RH)
Reaction time (humidity)	approx. 5 sec.
Contact type	change-over contact (relay)
Contact resistance	<10m Ω
Service life	NC: > 50,000 cycles NO: > 100,000 cycles
Max. Switching capacity (Relay output)	NC: 240VAC, 6 (1) A NO: 240VAC, 8 (1.6) A NC: 120VAC, 6 (1) A NO: 120VAC, 8 (1.6) A 24VDC, 4A
Optical indicator	LED
Connection	5-pole terminal, clamping torque 0.5 Nm max.: Rigid wire 2.5mm ² stranded wire (with wire end ferrule) 1.5mm ²
Mounting	clip for 35mm DIN rail, EN60715
Casing	plastic according to UL94 V-0, light grey
Dimensions	77 x 60 x 43mm
Weight	approx. 200g
Fitting position	Variable
Operating/Storage temperature	0 to +60°C (+32 to +140°F) / -20 to +80°C (-4 to +176°F)
Protection type	IP20

* not UL confirmed

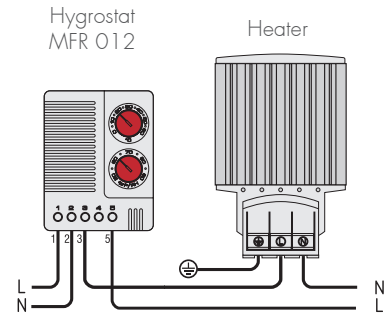
* When connecting with stranded wires, wire end ferrules must be used.



Connection diagram



Examples of connection



For this product, please contact:

ERANOVA ENDÜSTRİ
ve ELEKTRİK MALZEMELERİ LTD. ŞTİ.

Perpa Trade Center, B Block 11th Floor,
No: 1828, Okmeydanı, Şişli / İstanbul - Turkey
Tel. +90 (212) 265 02 93 - Fax +90 (212) 381 79 69
satis@eranova.com.tr

ERANOVA
Endüstri ve Elektrik Malzemeleri Ltd. Şti.
Dynamic Solutions Worldwide

www.eranova.com.tr

All information, recommendations and test data herein are offered only as a guide. We believe them to be accurate but do not guarantee results, freedom from patent infringement, suitability of this product for any resultant application.